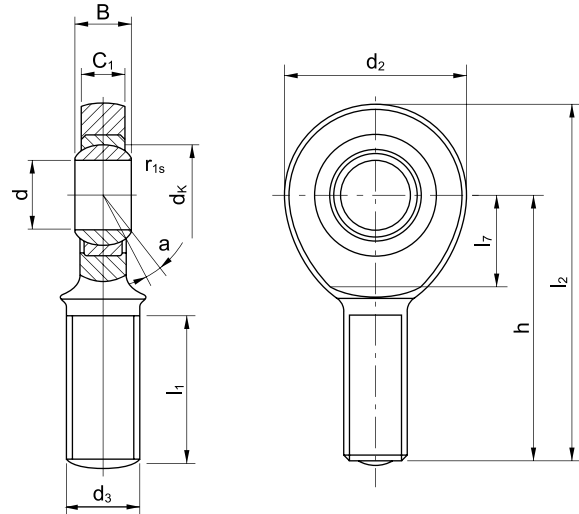


- 軸承附有帶螺紋的伸出杆，螺紋有左、右旋之分。
Bearings with a stretching rod, stretching rod with right or left-hand female thread.
- 由自潤滑向心關節軸承和杆端體組裝而成。
It is made up of a maintenance-free spherical-plain radial bearing and rod body.
- 杆端體表面鍍鋅，內球面鍍鉻。
To plate zinc on the surface of rodend, Spherical of inner with chromiun plating.



軸承型號 Bearings number	尺寸 Dimensions (mm)												負荷KN Load ratings		重量 Weight (kg)
	d	d ₃	B	C ₁ max	l ₁ max	d ₂ max	l ₇ max	h	l ₂ max	d _k	r _{1s} min	a° ≈	動 C	靜 C ₀	
POS5A T/K	5	M5×0.8	8	6	19	18	-	33	42	11.11	0.3	13	3.25	3.10	0.013
POS6A T/K	6	M6×1.0	9	6.75	21	20	-	36	46	12.7	0.3	13	4.30	4.40	0.020
POS8A T/K	8	M8×1.25	12	9	25	24	-	42	54	15.875	0.3	14	7.20	8.00	0.038
POS10A T/K	10	M10×1.5	14	10.5	28	28	-	48	62	19.05	0.3	13	10.0	12.9	0.055
POS12A T/K	12	M12×1.75	16	12	32	32	-	54	70	22.225	0.3	13	13.4	17.0	0.085
POS14A T/K	14	M14×2.0	19	13.5	36	36	18	60	77	25.4	0.3	16	17.0	24.0	0.14
POS16A T/K	16	M16×2.0	21	15	37	40	23	66	86	28.575	0.3	15	21.6	28.5	0.21
POS18A T/K	18	M18×1.5	23	16.5	41	46	25	72	95	31.75	0.3	15	26.0	42.5	0.28
POS20A T/K	20	M20×1.5	25	18	45	50	26	78	103	34.925	0.3	14	31.5	42.5	0.38
POS22A T/K	22	M22×1.5	28	20	48	54	29	84	111	38.10	0.3	15	38.0	57.0	0.48
POS25A T/K	25	M24×2.0	31	22	55	60	32	94	124	42.85	0.3	15	47.5	68.0	0.64
POS28A T/K	28	M27×2.0	35	25	62	66	34	103	136	47.6	0.3	15	55.0	75.5	0.80
POS30A T/K	30	M30×2.0	37	25	66	70	37	110	145	50.8	0.3	17	64.0	88.0	1.1

若是左旋螺紋，軸承型號和螺紋標記需加“L”和“左”，例如：SAL8T/K M8左-6G
For left-hand thread, suffix is added to bearings number and thread sign, e.g. SAL8T/K M8L-6G